



Autobroil™

Model FR1515BT, FR15B & FR69B

Front Return Mitee Mite™ Countertop Broilers

Item No: _____

AIA FILE NO. / SPEC NO.

CONSULTANT/ CONTRACTOR APPROVAL



Model FR1515BT Shown

Marshall's Mitee Mites™ are workhorses designed for smaller locations that produce a high volume of broiled products. With touch screen controls, they work well in situations with limited space yet requiring maximum flexibility. Ideal for snack bars, deli's, sandwich shops, sports arena restaurants, airports and resorts.

The Mitee Mites™ require minimal care and are designed for easy installation and serviceability. The **Model FR1515BT** is a broiler with a built-in radiant toaster, while **Models FR15B** and **FR69B** are a broiler only. Easily accessed conveyor belts and removable drip pan make maintenance and clean up a snap.

All Marshall products are supported by a nationwide service organization and in-house, full-time Customer Support Department. To place an order call:

1-800-627-8368

**ETL (US, Canada) & NSF Listed
FOR COMMERCIAL USE ONLY**

**Ask about Marshall's ThermoGlo™ Food Warmers, companion High Speed Toasters, and Ventilation Systems*

The Mitee Mite™ is a high production hamburger or meat filet broiler designed specifically for small or high demand locations such as deli's, snack bars, kiosks and convenience stores.

FEATURES

- An integrated touch screen control features 12 programmable menu item cook times per belt
- Control features broiler self-diagnostics
- Optional on-board food probe
- Front return cooking arrangement - Fully automatic
- Individual plug-in motors and speed control selectors for each broiler belt
- Convenient functional patty/bun assembly area (FR1515BT only)
- Less removable parts allow fast and easy clean up
- Built-in radiant bun toaster (FR1515BT only)

CONSTRUCTION

- Heavy gauge stainless steel solid weld frame construction
- 3/16" diameter, heavy-duty stainless steel conveyor rods
- Simple conveyor tension adjustment
- Easy to operate computer control panel
- Heavy duty industrial grade heating elements

VOLUME

Hamburger Peak Production:

Frozen	2 oz. patties	250/hr.
	4 oz. patties	150/hr.
Fresh	2 oz. patties	310/hr.
	4 oz. patties	190/hr.

Buns (FR1515BT Only) Exceeds burger production

Marshall Air Systems, Inc.

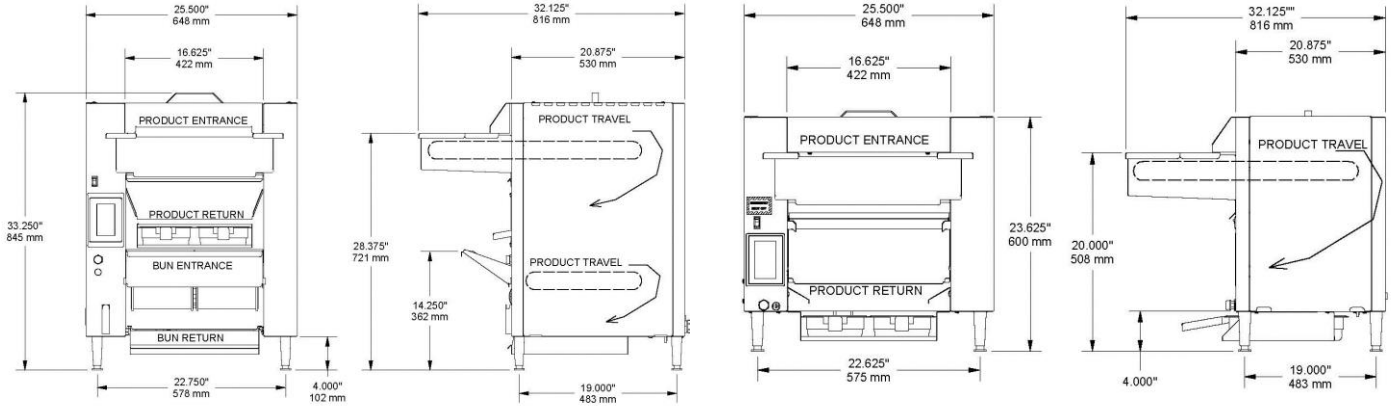
419 Peachtree Drive South • Charlotte, North Carolina 28217 USA • Phone: (704) 525-6230 Fax: (704) 525-6229 • www.marshallair.com



Autobroil™

Model FR1515BT, FR15BS & FR69B

Front Return Mitee Mite™ Countertop Broilers



Overall Dimensions

Model FR1515BT

Dimensions:	Height: 33.250" 845 mm	Width: 25.500" 648 mm	Depth: 32.125" 816 mm
-------------	------------------------------	-----------------------------	-----------------------------

Shipping Information:	Weight: Net 165 lbs. 75 kilos	Ship Wt: 337 lbs. 153 kilos	(Freight USA) NMFC Class 85	Ship Cubes: 9.5 cubic ft. 0.33 cubic meters
-----------------------	-------------------------------------	-----------------------------------	-----------------------------------	---

Electrical:	208 V/60Hz/1 ph 48 amps/10 kw L1, L2, G Includes Ground	or	230V/50Hz/1 ph 52.7/12.1 kw L1, N, G Includes ground and neutral
-------------	---	----	--

Other electrical configurations available. Consult factory.

Model FR15B & FR69B (Without toaster)

Dimensions:	Height: 23.625" 600 mm	Width: 25.500" 648 mm	Depth: 32.125" 816 mm
-------------	------------------------------	-----------------------------	-----------------------------

Shipping Information:	Weight: Net 140 lbs. 64 kilos	Ship Wt: 270 lbs. 123 kilos	(Freight USA): NMFC Class 85	Ship Cubes: 8.9 cubic ft. 0.26 cubic meters
-----------------------	-------------------------------------	-----------------------------------	------------------------------------	---

Electrical:	208 V/50Hz/1 ph 39 amps/8.112 kw L1, L2, G Includes ground	or	230V/50Hz/1 ph 34 amps/7.82 kw L1, N, G Includes ground and neutral
-------------	--	----	---

Other electrical configurations available. Consult factory.

Options: (Both Models)	Companion Ventilation System Heavy-duty stainless steel table with casters	Complete spare parts supply kit 8 Ft. electrical cord
---------------------------	---	--

Marshall Air Systems, Inc.

419 Peachtree Drive South • Charlotte, North Carolina 28217 USA • Phone: (704) 525-6230 Fax: (704) 525-6229 • www.marshallair.com